

EDIFACT FIELD SPECIFICATION

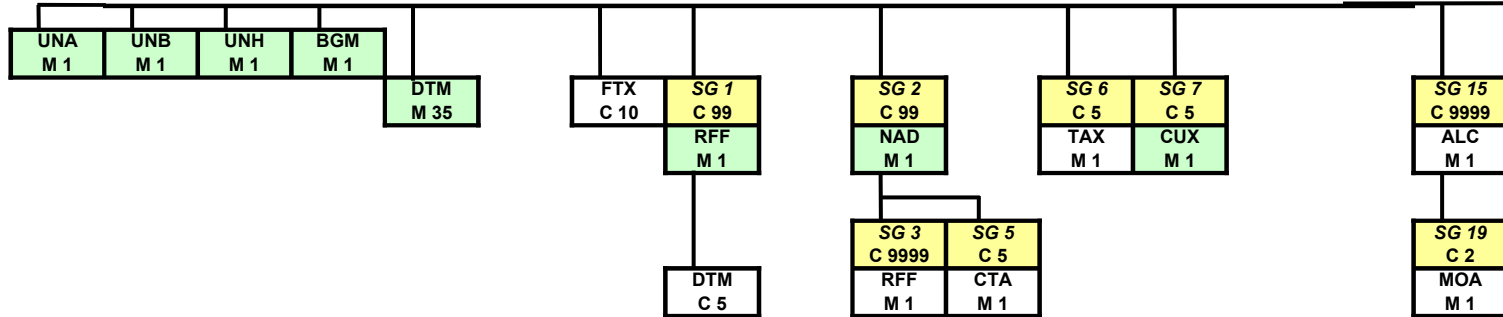
Version: 1

Date:

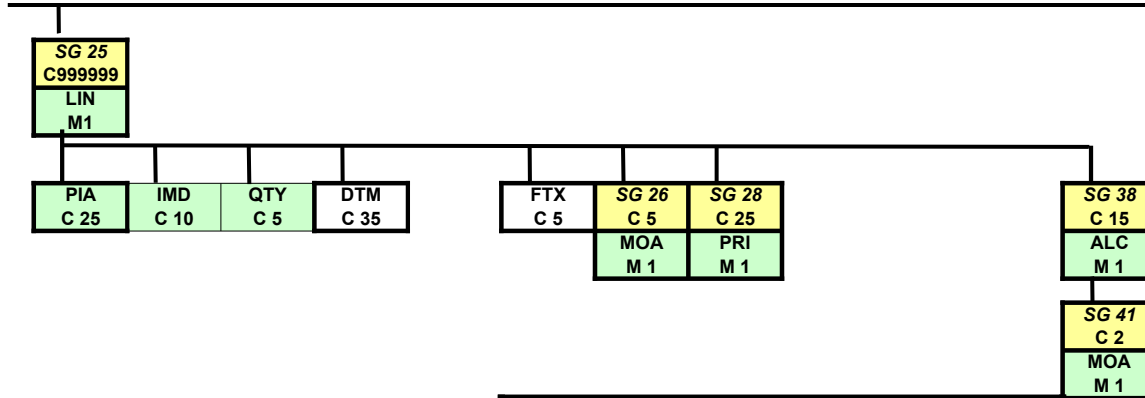
30. nov 09

EANCOM INVOICE - AO Johansen

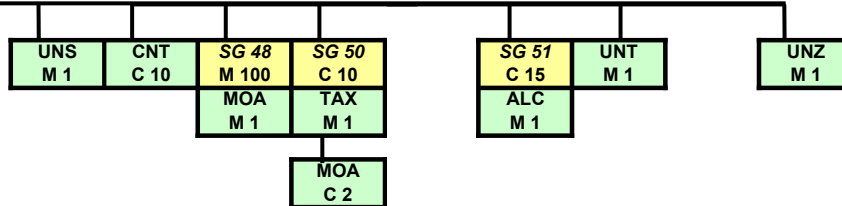
HEADER SECTION



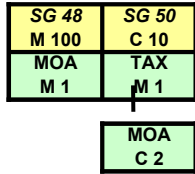
DETAIL SECTION



SUMMARY SECTION



Example and explanation:



NB: All green fields are required (please refer to the example pdf files on the web site).

SG means 'segment group' (the numbering comes from the EANCOM standard). Each segment group can be mandatory or conditional, and comprises a number of EDI segments.

The first segment contained in a segment group is usually mandatory, i.e., if the segment is not present, the whole group is invalid.

In this case, there is a mandatory requirement for at least one (and if needed, upto 100) MOA segment(s).

After the final segment in the group SG 48, there is a conditional group (that is, between 0 and 10) in SG 50 of TAX segments, each of which may be followed by conditional MOA segment(s) (i.e., between 0 and 2).

CNT+02:2'
MOA+86:3543.750'
MOA+79:2835.000'
MOA+125:2835.000'
MOA+176:708.750'
UNT+31+5286'

Valid: The whole of SG 50 is conditional and may be omitted

CNT+02:2'
MOA+86:3543.750'
MOA+79:2835.000'
MOA+125:2835.000'
MOA+176:708.750'
TAX+7+VAT+++:::25.0000'
UNT+31+5286'

Valid: SG50 does not require a mandatory MOA segment

CNT+02:2'
TAX+7+VAT+++:::25.0000'
UNT+31+5286'

Invalid: SG 48 is mandatory

CNT+02:2'
MOA+86:3543.750'
TAX+7+VAT+++:::25.0000'
MOA+79:2835.000'
MOA+125:2835.000'
MOA+176:708.750'
UNT+31+5286'

Invalid: There may be only up to 2 MOA segments in a SG 50 group